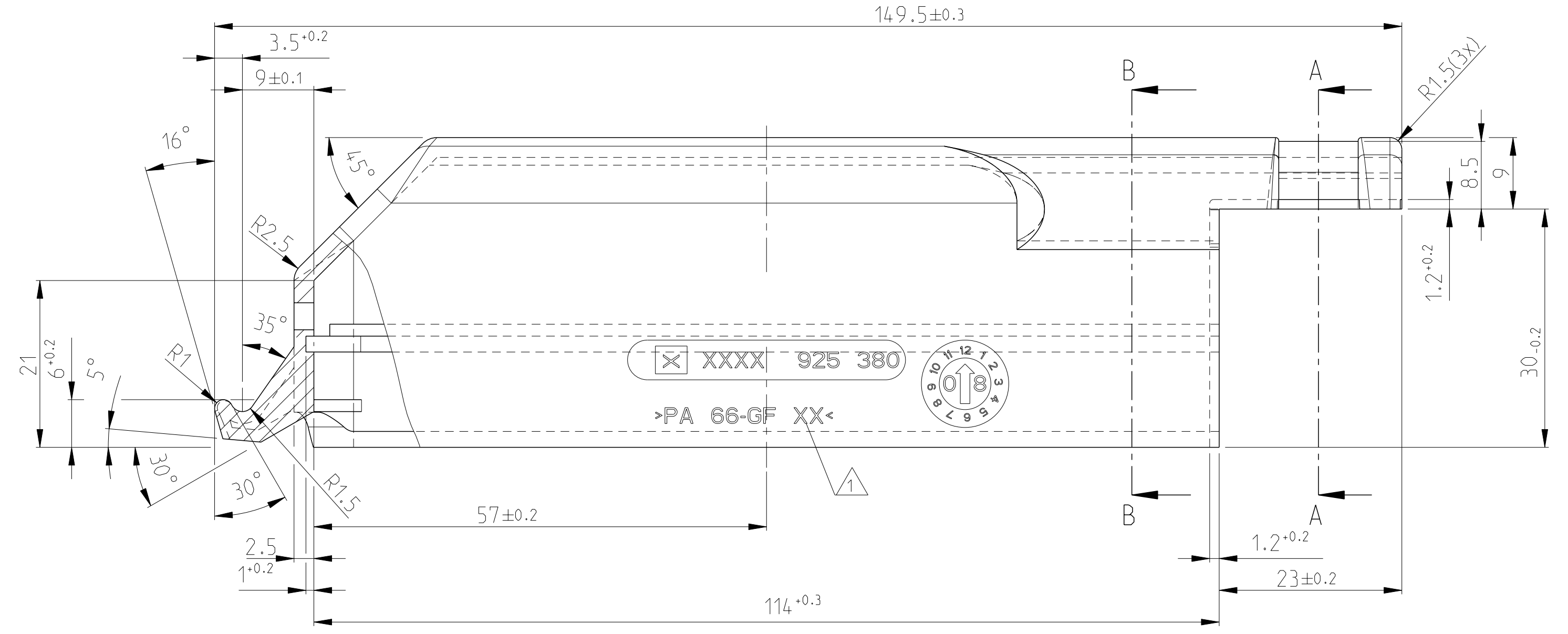
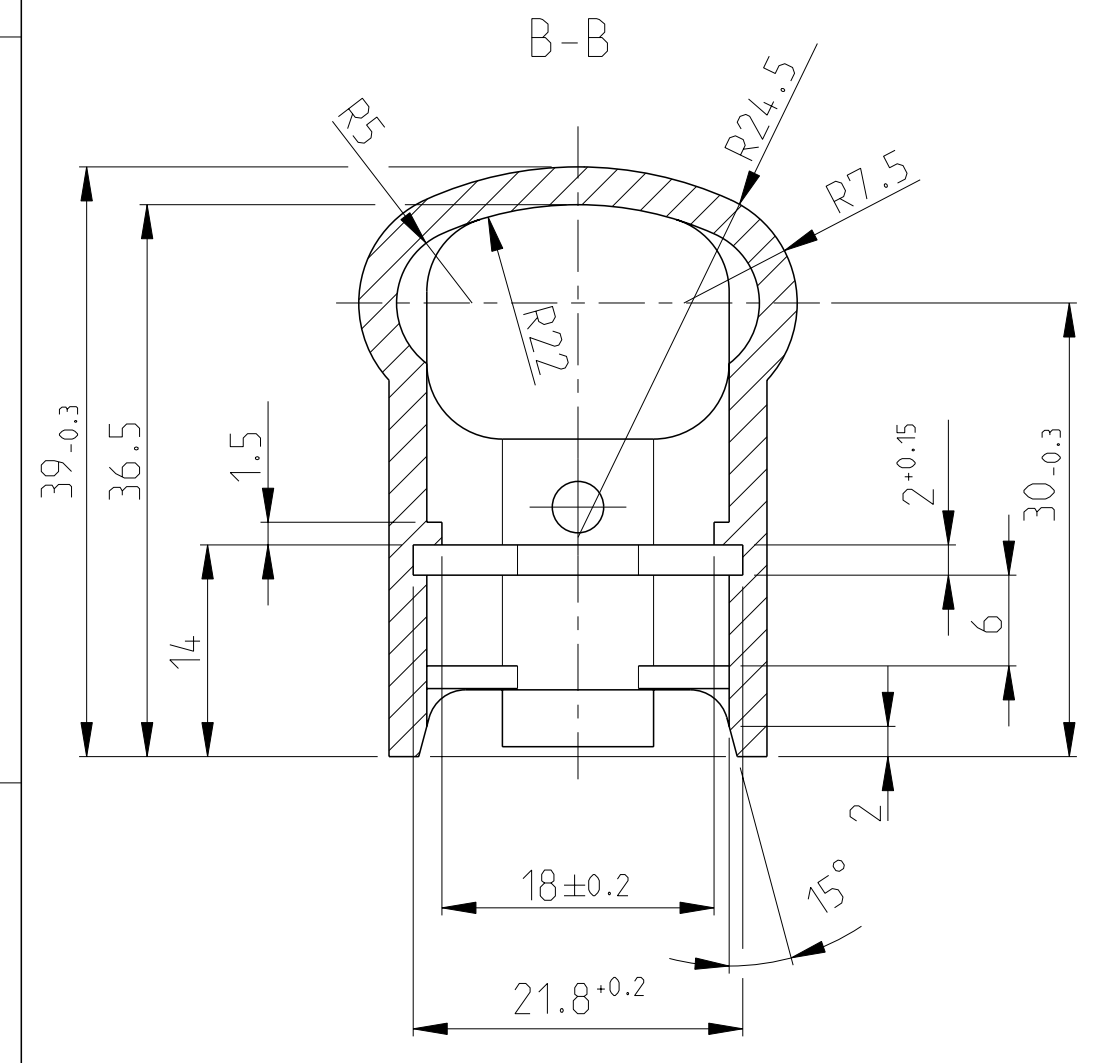
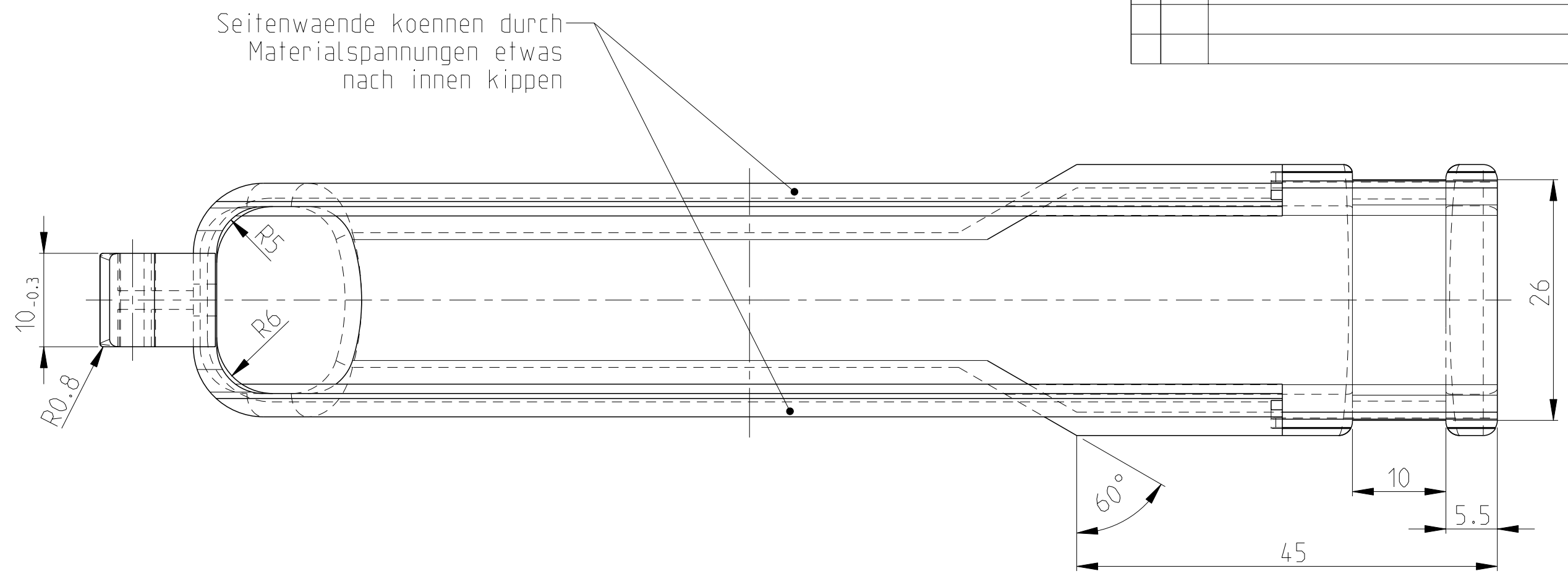
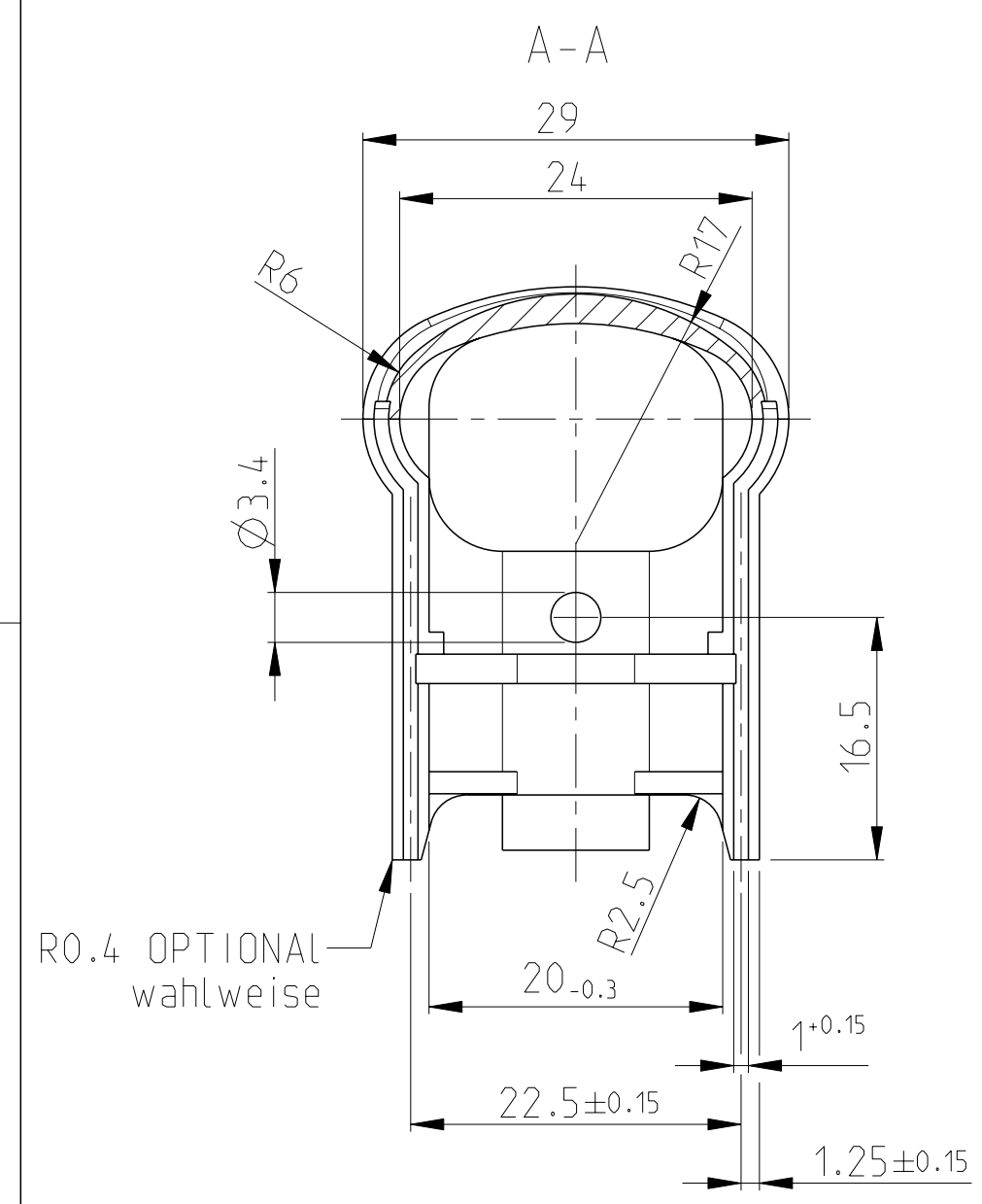


THIS DRAWING IS UNPUBLISHED. RELEASED FOR PUBLICATION 2008  
 © COPYRIGHT 2008 BY - ALL RIGHTS RESERVED.

LOC		DIST		REVISIONS			
P	LTR	DESCRIPTION	DATE	DWN	APVD		
	F3	925380-3 obsolete	21AUG2013	Mah.	Krauss		



MATERIAL IDENTIFICATION	NUMBER	REV	MATERIAL	COLOUR
OBSOLETE	>PA 66-GF 13<	925380-3	F PA 66 GV13	YELLOW
OBSOLETE	>PA 66-GF 35<	925380-2	F POLYAMID 66 GV35 SE0	BLACK
	>PA 66-GF 13<	925380-1	F POLYAMID 66 GV13	BLACK

THIS DRAWING IS A CONTROLLED DOCUMENT.

DWN Haß 29APR1975	 TE Connectivity	NAME	
CHK Stredak.F. 26NOV2008		CONNECTOR HOUSING	
APVD Bleicher.M. 27NOV2008		Griffkappe fuer 35pol. Buchsengehäuse	
PRODUCT SPEC		SIZE	CAGE CODE
APPLICATION SPEC	A2	00779	C-925380
WEIGHT	Customer Drawing		RESTRICTED TO
	SCALE	SHEET	REV
	2:1	1 OF 1	F3